

Highlights:

- 1" + 5" full range aluminum driver
- High-end 2-way ceiling speaker
- 50 Watt RMS power
- SlimLine™ grill with 1mm thin border
- Elegant & unobtrusive design
- Warm & true to nature sound
- Paintable front grill
- Gold-Con™ spring clamps
- Thin edged white grill (RAL9003)

Product information:

The CELO series is AUDAC's first high-end, slim ceiling speaker series, consisting of four models which can guarantee an optimal experience for every situation and application. The CELO5 is the 5" model of this series. Due to its slim grill design with a very thin border of only 1 mm and a limited grill depth which extrudes from the ceiling surface by only 3.2 mm, these speakers will become nearly invisible when mounted. To make them blend in even more, the grill can be painted in the same color as the surrounding surface or an optional black grill (GLC05/B) will provide seamless integration in dark environments.

The elegant and unobtrusive grill is held in place by means of powerful neodymium magnets, making assembly and disassembly very simple but still reliable enough to keep the grill in place during the complete lifetime of the loudspeaker. When the grill is removed, it's clear for anyone to see that the CELO speakers are made by using only the highest quality materials, guaranteeing an unsurpassed sound experience.

One 1" aluminum cone tweeter is held in place by an acoustically optimized arm in front of a 5" aluminum cone woofer. Together with the crossover network which is made of high-quality components, this results in true to nature sound reproduction for a warm and detailed sound with an RMS power of 50 Watt.

To guarantee a lifetime stability, secure mounting and easy installation, the loudspeaker connection is made using Gold plated spring clamp connectors. The mounting of the loudspeaker into the ceiling should be done by a quick-fixing mechanism which can be tightened by four screws and the front grill.

Applications:

- Hotels
- Corporate
- Residential
- Bars & Restaurants
- Retail



Impedance:

Ω 8 Ohm

System specifications:

Speaker type		2-way coaxial
Peak power handling		200 W
Program power handling		100 W
RMS/AES power handling		50 W
Impedance		8 Ω
Sensitivity (1W/1m)		85 dB
Sound Pressure (Max. W/1m)		102 dB
Frequency	Response (\pm 3 dB)	70 Hz - 20 kHz
	Range (-10 dB)	55 Hz - 20 kHz
Crossover	Type	Passive built-in
	Frequency	3 kHz
Dispersion	Conical	155°
Connectors		Gold-Con™ spring clamps
Drivers	HF	1" Aluminium membrane
	LF	5" Aluminium membrane

Product Features:

Dimensions		180 x 86 mm (\varnothing x D)
Weight		1 kg
Construction		ABS
Front finish		Thin edged white grill (RAL9003)
Cut-out measurement		155 mm (\varnothing)
Built-in depth		83 mm
Mounting & handling		4 Screw quick-fixing mechanism
Operating temperature		-20 °C ~ 60 °C
Colours		Black frame & white grill
Accessories	Included	Cut-out template
	Optional	WTR24 - 24W 100V line transformer
		GLC05/B - Black grill (RAL9005)
		GLC05/P - Paintable grill
	Included	GLC05/W - White grill (RAL9003)

Variants:

- CELO5 - White version - 8Ω

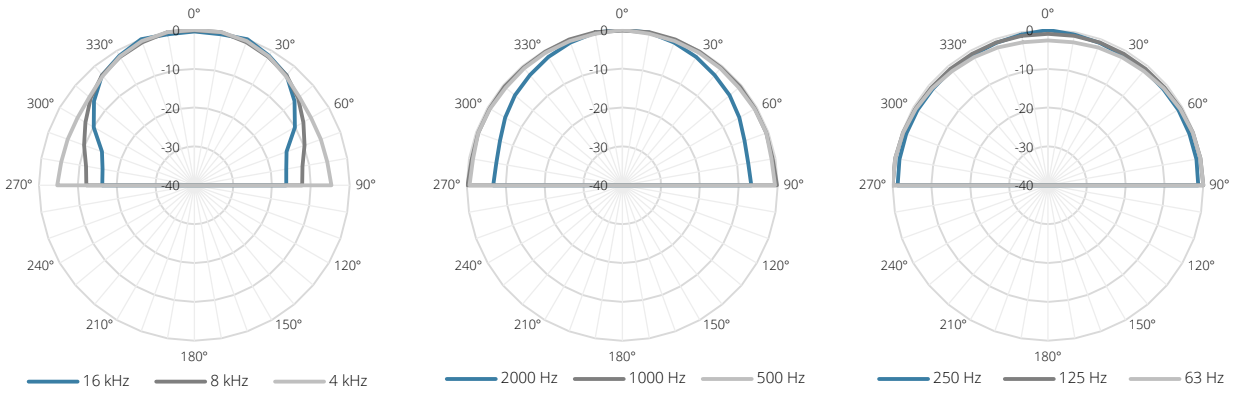
Shipping & Ordering:

Packaging	Cardboard box
Shipping weight & volume	1.420 kg - 0.007 Cbm

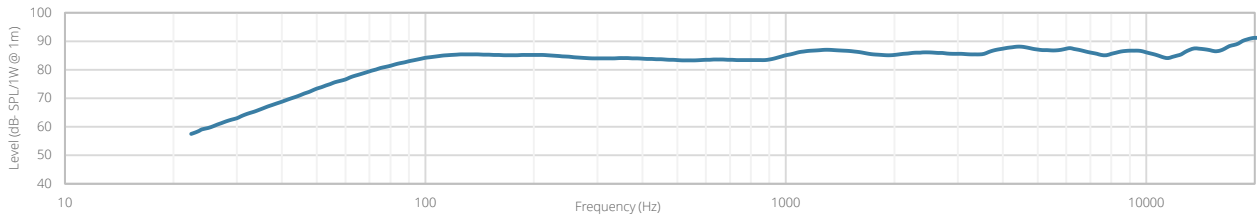
Architects' and Engineers' Specifications:

The ceiling mount loudspeaker shall be a 2-way coaxial type, equipped with a 5" aluminium cone low frequency driver and a 1" aluminium dome tweeter with neodymium magnet. The tweeter shall be mounted in the centre position of the woofer by means of an acoustically optimized arm. It shall have an RMS power handling of 50 Watt with a maximum power handling of 100 Watt and the frequency response (± 3 dB) shall range from 70 Hz to 20 kHz. The sensitivity shall be 85 dB when measuring with an input signal of 1 Watt at a distance of 1 meter, while the maximum continuous sound pressure level shall be 102 dB. The nominal dispersion shall be a 155° conical coverage pattern at -6dB (average 100 Hz - 10 kHz). The loudspeaker shall have an impedance of 8 Ohm and shall contain a passive built-in crossover network with crossover frequency of 3000 Hz, which is constructed of high-quality components. The speakers frame and basket shall be constructed as one entity in strong ABS material with a black colour and textured matt surface finishing. A 4-screw quick-fixing mechanism shall be provided to mount the speaker into a ceiling in a quick and simple way. The connectivities shall be performed using Gold-Con spring clamp connectors. To make the loudspeaker nearly invisible when mounted, the speaker shall have a white (RAL9003) grill with a very thin border of 1 mm which extrudes the ceiling surface by only 3.2 mm. This grill shall be constructed of steel which can be painted to make it blend-in with any environment. The assembly and disassembly of the grill shall be very simple thanks to the neodymium magnets that hold it in place. The speaker shall have a diameter of 175 mm, a depth of 98 mm and shall not exceed 1 kg. The speaker shall fit in a mounting hole with a cutout diameter of 150 mm and a build-in depth of 95 mm.

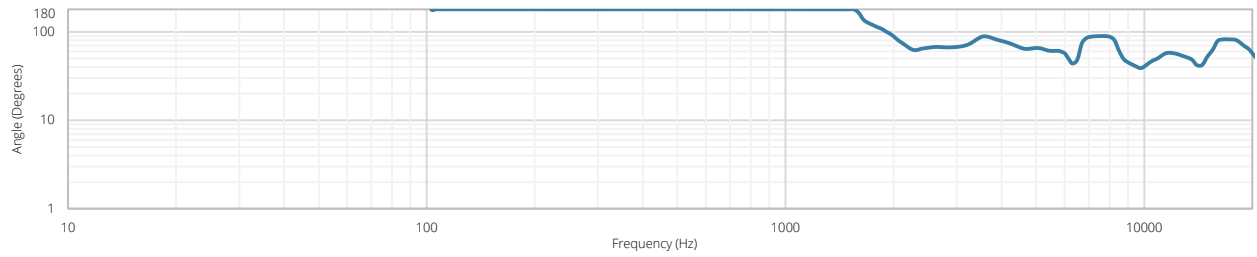
Polars:



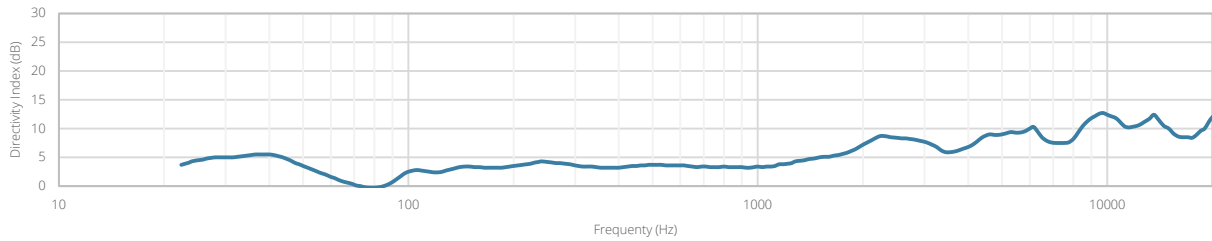
Sensitivity:

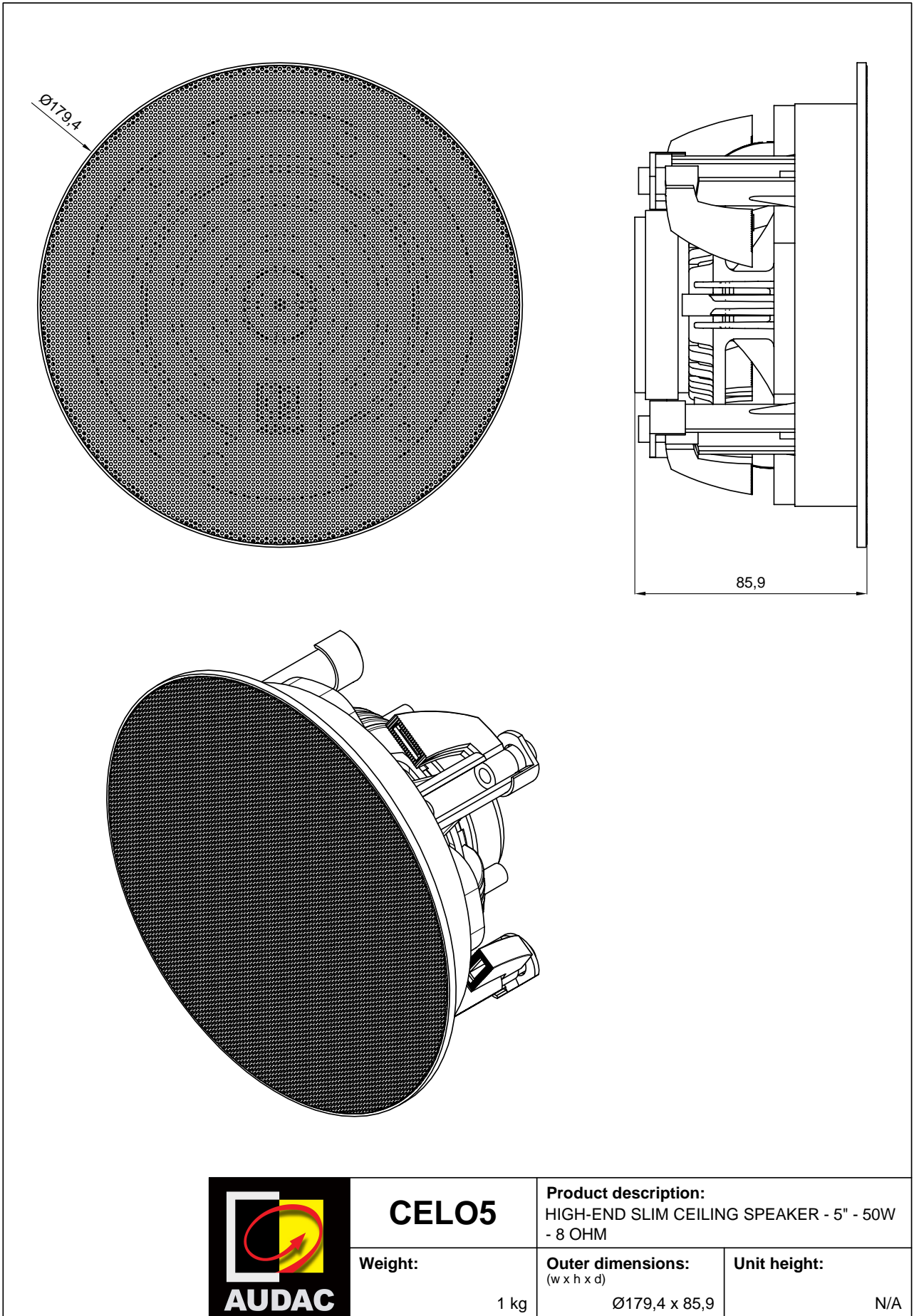


Beamwidth (-3dB):



Directivity index:





CELO5

Product description:

HIGH-END SLIM CEILING SPEAKER - 5" - 50W
- 8 OHM

Weight:

1 kg

Outer dimensions:
(w x h x d)

$\varnothing 179,4 \times 85,9$

Unit height:

N/A